

MACHINES

APH VIBRATORY PLATES

APR SERIES HYDROSTATIC
VIBRATORY PLATES



AMMANN

THE RIGHT FIT ON YOUR JOBSITE

AMMANN APH HYDROSTATIC VIBRATORY PLATES

Ammann APH Hydrostatic Vibratory Plates deliver compaction power and productivity to jobsites. The plates have drive and climbing power, even when working in cohesive soils. The compactors enable smooth directional changes and easy operation, even by the inexperienced. Operators can adjust to jobsite conditions by simply regulating the engine revolutions.

Lowest hand-arm-vibrations to the operator are one of the key features of these plates, enabling operators to work long shifts without the need of documentation for operator safety regulations.



APH 5020

WEIGHT:
367–400 kg (807–882 lb)
WORKING WIDTH:
450–750 mm (17.7–29.5 in)
CENTRIFUGAL FORCE:
50 kN (11.2 lbf)



APH 6020

WEIGHT:
482–518 kg (1060–1142 lb)
WORKING WIDTH:
550–850 mm (21.7–33.5 in)
CENTRIFUGAL FORCE:
60 kN (13.5 lbf)



APH 1000 TC

WEIGHT:
715–747 kg (1576–1643 lb)
WORKING WIDTH:
659–800 mm (25.6–31.5 in)
CENTRIFUGAL FORCE:
63 kN (15.7 lbf)

WITH TRIPLE-SHAFT EXITER SYSTEM



APH 5030

WEIGHT:
368–402 kg (811–886 lb)
WORKING WIDTH:
450–750 mm (17.7–29.5 in)
CENTRIFUGAL FORCE:
50 kN (11.2 lbf)



APH 6530

WEIGHT:
491–527 kg (1082–1162 lb)
WORKING WIDTH:
550–850 mm (21.7–33.5 in)
CENTRIFUGAL FORCE:
65 kN (14.6 lbf)



APH 100-20

WEIGHT:
675–727 kg (1488–1603 lb)
WORKING WIDTH:
650–950 mm (26–37 in)
CENTRIFUGAL FORCE:
100 kN (22.5 lbf)



APH 110-95

WEIGHT:
765–825 kg (1687–1819 lb)
WORKING WIDTH:
650–950 mm (26–37 in)
CENTRIFUGAL FORCE:
110 kN (24.7 lbf)

READY FOR ANY JOBSITE

Versatility is a key reason for the success of APH Hydrostatic Vibratory Plates. Their compaction ability and size helps them power through varied ground conditions on almost any jobsite, making them an essential part of any fleet.

ROCKFILL MATERIAL

The plates' high compaction output helps them master surfaces where the highest impact force is required.

SOIL AND SAND

Smooth operation combines with Ammann's patented triple-shaft exciter system to help the machines power through wet and saturated ground that can leave lesser plates stuck.

THICK PAVING STONES

Working with paving stones? The APH plates can utilise optional paving pads – a rubber mat that can be quickly attached beneath the base plate – to protect the stones from being cracked, chipped or scratched.



YOUR BENEFITS AT A GLANCE

WHAT SETS AMMANN HYDROSTATIC
VIBRATORY PLATES APART?



EFFICIENCY

Large machine stroke

Results in compaction output with a high depth effect.

Fully hydraulic drive

Good machine controllability.

Three-shaft technology

Good gradeability effect and very good operating behaviour even on wet and cohesive substrate.

High quality standards combined with ACE

Reliable and proven quality with compaction control.

ERGONOMICS

Orbitrol control

Makes accurate work possible despite the machine's large mass.

Emergency stop switch

Protects the machine operator, especially in reverse mode.

Dead man's handle

Stops the machine as soon as the hands let go, thereby increasing safety for the machine operator and the surrounding objects and buildings.

SERVICEABILITY

Daily maintenance possible without tools

Preventive maintenance to protect the machine can be carried out anywhere.

Highly accessible engine

Ideal for speedy maintenance.

Fully hydraulic drive

No centrifugal clutch and no V belt and therefore no wear and tear.

“ Hand-arm-vibrations of less than 2.5 m/s^2 preserve the operator and enable long working shifts.”



TECHNICAL SOLUTIONS FOR YOUR JOBSITE

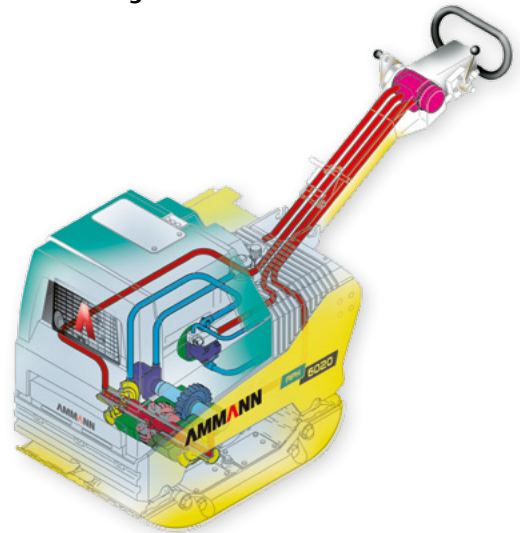
Jobsites can present a variety of challenges. Operator friendly features from Ammann enable productivity and let the crew focus on the task at hand. Unique technologies built into Ammann machines deliver the quality and productivity you need and help provide you with a competitive advantage.

OPTIMAL CONTROL AND SAFETY

The APH plates are manoeuvrable and easy to control, despite weights of up to 800 kg. The machine hand guide can be folded upward without losing any control over the compactor. An emergency stop on the handle provides the highest operator safety. The plate will immediately shut off if a sensor encounters an object.

FULLY HYDROSTATIC DRIVE

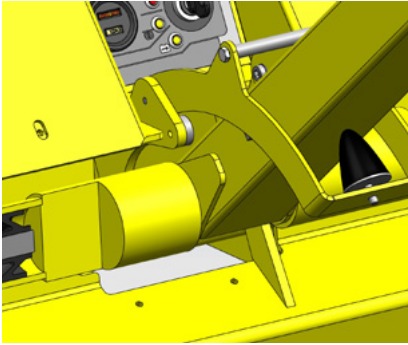
The APH line features a fully hydrostatic system that eliminates the need for a V belt and a centrifugal clutch – and the maintenance that go with them. A hydraulic motor drives the eccentric shafts.



AMMANN ORBITROL STEERING

Orbital steering controls the adjustment of the centrifugal weights, allowing a smooth change of direction. Ammann developed the unique orbital steering system to provide the accuracy needed on the jobsite. Machine speed and direction can be adjusted by a simple turn of the orbital knob. The machine also can hover and provide on-the-spot compaction for challenging areas. Orbital steering also helps with productivity and safety in corners and other tight spots.





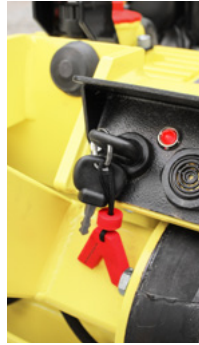
LOWEST HAND-ARM VIBRATION

The standard hand guide for APH plates is isolated to minimise hand-arm vibration. Levels of less than 2.5 m/s² (excluding APH 100-20) enable operators to work long shifts without stress. The vibration levels are so low that safety codes do not require documentation of operator hours.



ALWAYS EASY TO START

APH plates are ready to go when they arrive on the jobsite. A securely stored hand crank is all that's required to start the machine. Electric start versions help new operators get up and running quickly, while experienced operators appreciate their convenience.



RUN-OPTIMISED BASE PLATE

The base plate's shape enables simple steering and smooth operation, even when working on hard surfaces. The design also sheds loose material, keeping the machine clean and preventing material from becoming wedged between the base plate and frame.



GREAT ACCESS TO ALL SERVICE POINTS

The protective engine hood opens wide for machine service work, giving easy access to all key engine and cooling unit components. The well-protected exciter unit, responsible for the APH's strong compaction forces, also can be easily accessed for maintenance work. A protective casing prevents dirt and dust from penetrating the machine.

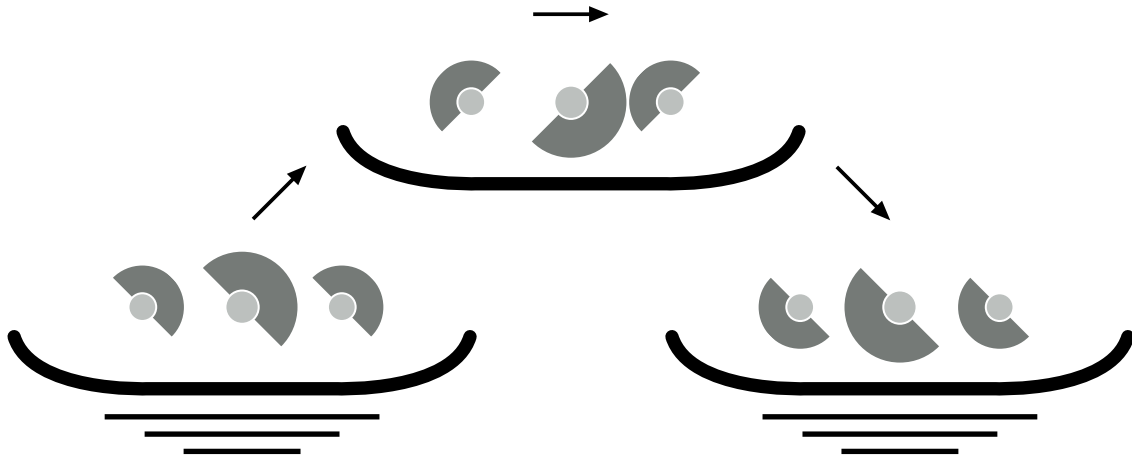


SIMPLE AND SECURE TRANSPORT

The standard lifting hook makes transfer between jobsites easy. The hooks are large enough that forklifts can be used to lift the plates. The handle is foldable and can be fixed in a safe, upright position to save space when transporting the machine.

AMMANN TRIPLE-SHAFT EXCITER UNIT

MARKET LEADING TRIPLE-SHAFT EXCITER SYSTEM
GIVES AMMANN APH VIBRATORY PLATES THE EXTRA EDGE
WHEN CONDITIONS GET TOUGH



Ammann remains the technological leader in plate compaction with its patented triple-shaft exciter system

The system keeps plate movement consistent, which in turn enables smooth travel – even through heavy, cohesive soils – and helps effortlessly overcome steep grades. APH machines are impressive climbers and can even do so while backfilling saturated areas – work that can leave competitive products at a standstill.

The success of the plates starts with the use of the third shaft. With twin-shaft systems, plates can rock back and forth and their leading edge can turn downward and become stuck, particularly in saturated materials.

With the Ammann exciter system, the third shaft prevents that back-and-forth movement by providing another force. This creates more consistent drive of the plates and keeps them even, steady and above the surface – even on saturated jobsites.



APH 5030

APH 6530

APH 100-20

APH 110-95

“ Ammann triple-shaft exciter system provides unmatched compaction results to the APH vibratory plates.”



ADDED VALUE

OPTIONS FOR YOUR APH PLATE

No jobsite is like another and no operator is like another. APH Plates from Ammann offer several options, allowing for customisation to make the plate fit your particular needs.

E-START



E-Start versions fire up the plate compactor. E-Start is a convenience for experienced operators and also helps new operators get up and running effortlessly.

EXTENSION PLATES



Extension plates in 2 different sizes expand the compaction surface area and add productivity. Adding an extension requires the adjustment of only 4 screws per side and can be quickly accomplished on the jobsite.

WEAR RESISTANT BASE PLATE

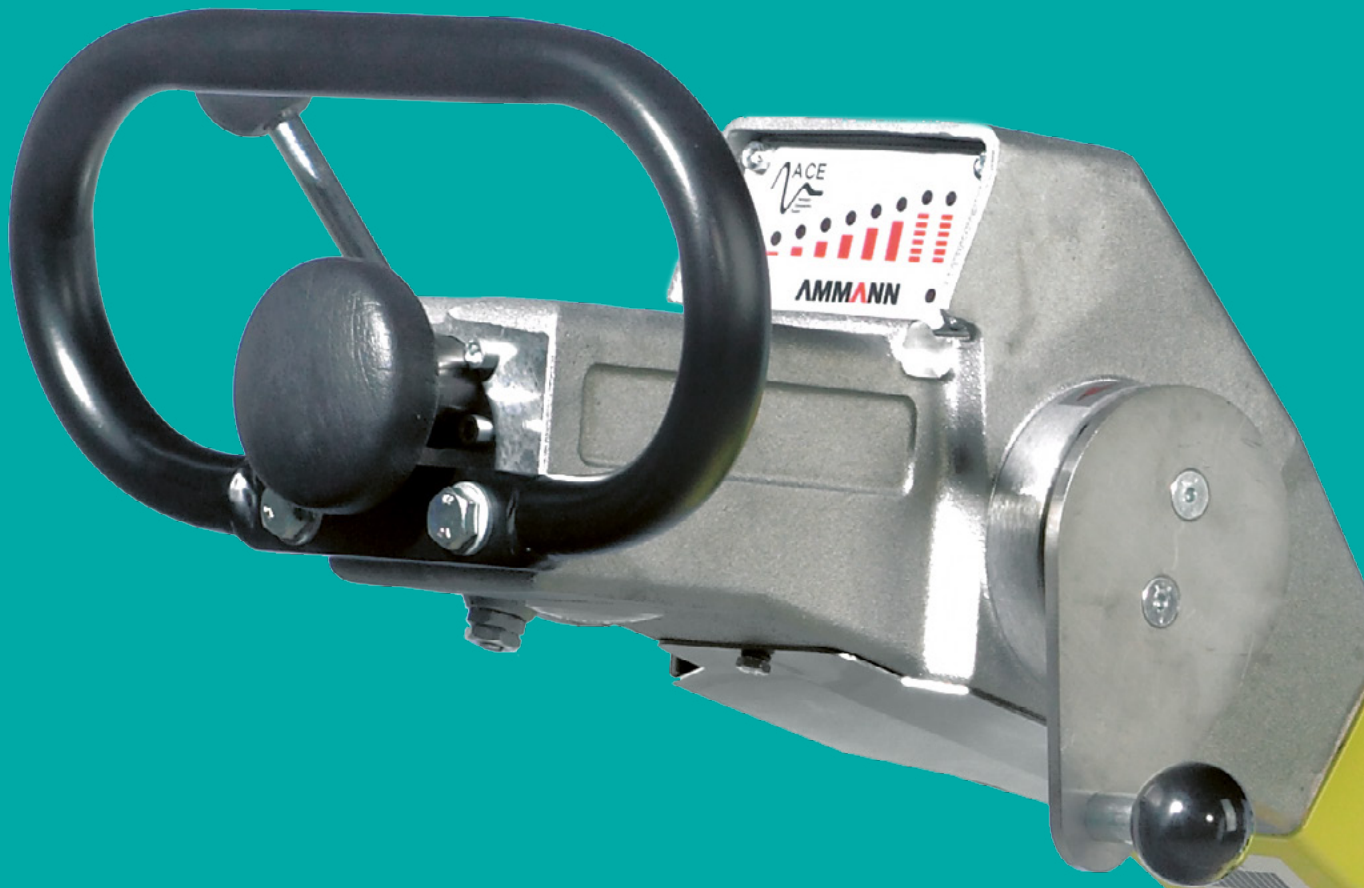


Working on especially hard materials, or are you hoping to extend the lifetime of your baseplate? Ammann offers a wear-resistant base that is simple to mount when needed and even easier to be replaced when worn down.

RUBBER MAT



The mats are attached to the plates and prevent cracking and breaking of paving stones and other sensitive materials while still delivering the required compaction power. Installation of the vulcolan mats is easy and can be done directly on site.



ACE COMPACTION EXPERT – BIG TECHNOLOGY IN A SMALL PACKAGE

APH Hydrostatic Vibratory Plates can be equipped with the well known Ammann Compaction Expert (ACE), an automated compaction measurement and control system.

The ACE system on the vibratory plates utilises the well developed technology used in Ammann's heavy compaction machines for years. It provides operators with an accurate indication of soil stiffness and whether desired compaction has been achieved.

The benefits of ACE technology are significant:

1. It can reduce the number of passes a plate compactor makes, therefore delivering savings on fuel, labour and machine wear.
2. ACE helps ensure proper compaction is achieved and prevents costly rework.
3. It extends the life of the compacted material – and structures placed on top of it – by providing a homogenous surface without weak spots.

HIGHLIGHTS ACE^{econ}

- Relative compaction measuring device
- Provides continuous information about compaction levels
- Evaluates when maximum compaction has been reached

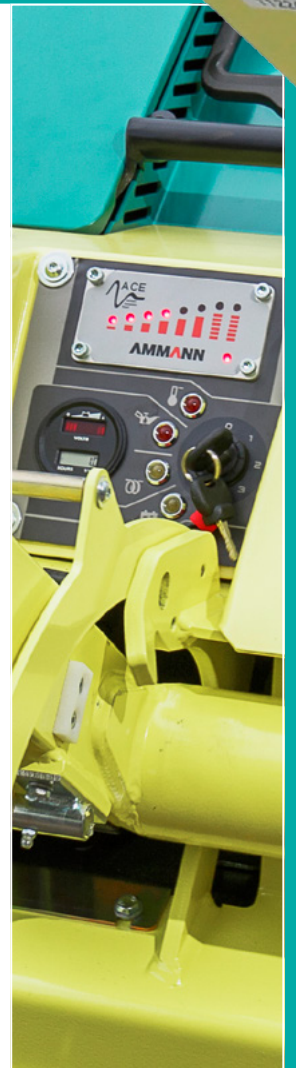
ACE^{econ} available on APH 5020, APH 6020, APH 6030, APH 6530, APH 100-20, APH 110-95



HIGHLIGHTS ACE^{force}

- Profiles measurement
- Precisely measured and evaluated material stiffness
- Operator guiding function shows compaction progress

ACE^{force} available on APH 6530, APH 100-20



APH 5020 APH 6020

RELIABILITY IN PERFECTION

The APH 5020 and APH 6020 Hydrostatic Plate Compactor features a conventional two-shaft exciter system that packs powerful compaction forces. This machine is highly reliable and trusted in the marketplace because of its robust design and long component life.

It can be operated easily and comfortably, even in tight areas, and works well around obstacles such as columns and in cohesive materials. The machine also is smooth when changing directions.





HIGHLIGHTS

- Hydraulic pump for hydrostatic drive and responsive steering; no V belt required
- Air-cooled Hatz diesel engine with low oil pressure protection system
- Plates can be equipped with the Ammann ACE^{econ}
- Extension plates enable a wide field of applications with a variety of working widths



APH 5030 APH 6530 APH 100-20

**COMPACTION POWER COMBINED
WITH STRONG CLIMBING ABILITIES**

These hydrostatic vibratory plate compactors distinguish themselves with their high compaction power and climbing ability.

Several options, such as an electric starter, extension plates, operation hour meter and ACE^{econ} allow for customisation to make the plate fit your particular needs.



HIGHLIGHTS

- Hydrostatic three-shaft exciter system for power and climbing
- Plates can be equipped with the Ammann ACE^{econ}
- Air-cooled Hatz diesel engine with low oil pressure protection system
- APH 5030 & APH 100-20 can be equipped with the Ammann ACE^{force}



AMMANN TRIPLE-SHAFT EXCITER UNIT

The plates are equipped with the market-leading Ammann triple-shaft exciter system, which not only enables performance and climbing ability, but also makes the machines more responsive and easier to turn.



APH 110-95

THE SUPERIOR VIBRATORY PLATE COMING FROM AMMANN

The APH 110-95 is the premiere vibratory plate compactor in the Ammann lineup in size and compaction punch. From 778 kg to 830 kg it is the heaviest plate. With its high compaction capabilities the machine matches the output of a 7 t soil compactor.

A powerful Kubota diesel engine provides sufficient power for the heavy duty tasks this machine faces.

The APH 110-95 is built for professionals with most features – including the ACE^{econ} compaction measuring system – standard configuration.

- Emergency stop standard
- Hour Meter standard
- ACE^{econ} standard
- Working lights standars



HIGHLIGHTS

- Hydrostatic three-shaft exciter system for power and climbing
- Water-cooled Kubota diesel engine with low oil pressure protection system
- ACE^{econ} compaction measuring system included in standard
- Many features already included in standard machine



OPTIONAL LED LIGHTS ON
APH 110-95 GRANT BEST VIEW
ON PLATE EDGES EVEN WHEN
WORKING IN TWILIGHT.

APH 1000 TC

REMOTE CONTROLLED COMPACTION PLATE

The APH 1000 TC is an IR remote-controlled hydrostatic plate that can go where others can't. The IR remote abilities ensure operation under the toughest conditions – and in the tightest spaces and deepest trenches. The operator is able to steer the vibratory plate from a safe distance with a remote control or cable remote.

The APH 1000 TC achieves high compaction results even in the deepest trenches and most impassable areas thanks to its high performance and to the compact machine design. It is very responsive to the operator's commands.

SAFETY BUILT IN

Safety is built into the machine, including an emergency stop on the remote control. The vibratory plate automatically shuts off if a connection to the operator is lost or if the machine comes within 2 m of the operator.

WORKING FROM A SAFE DISTANCE

There are several benefits using the remote control machine APH 1000 TC. There are no emissions for the operator in the trench. Also the steering can be done in safe distance. Furthermore canal building and other dangerous areas can be compacted without any risks for the operator. In case of any reasons the machine can also be controlled with a long cable.



HIGHLIGHTS

- Hydrostatic twin-shaft exciter system
- Air-cooled Hatz diesel engine with low oil pressure protection system
- Hydraulic pump for hydrostatic drive and steering; no V belt
- Robust IR remote control with solar panels for long work intervals

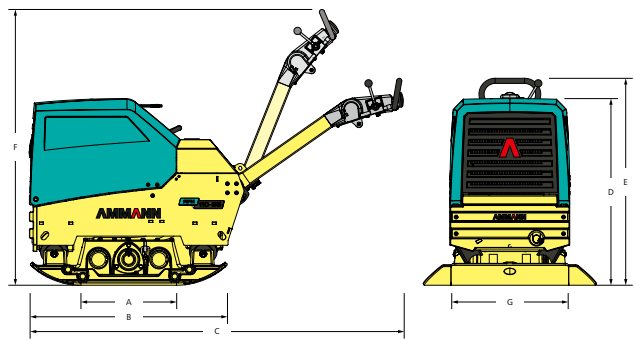
WORKING FROM A SAFE DISTANCE

The remote control works with two sticks for the directions so it is possible to guide the machine easily. The red button on the remote control is the emergency stop button which stops the machine immediately. The machine automatically stops when the operator is closer than two meters or when the machine is out of vision of the remote control and does not receive an infrared signal. Also there is a stick to start and end the vibration. The remote control will be charged by sunlight as it has got two solar panels. This works even on a cloudy day and within in a few minutes in case it was fully discharged the operator can start the shift.



“ With the remote control APH 1000 TC allows operation from a secure spot – no danger, no hand arm vibrations to the operator.”





WEIGHT & DIMENSIONS

	APH 5020	APH 6020	APH 5030	APH 6530	APH 100-20	APH 110-95
MACHINE WEIGHT BASIC UNIT	367 kg (807 lb)	482 kg (1060 lb)	368 kg (811 lb)	491 kg (1082 lb)	675 kg (1488 lb)	765 kg (1687 lb)
WITH EXTENSION PLATES 75 mm	388 kg (805 lb)	490 kg (1116 lb)	389 kg (856 lb)	515 kg (1335 lb)	705 kg (1554 lb)	795 kg (1753 lb)
WITH EXTENSION PLATES 150 mm	400 kg (882 lb)	518 kg (1142 lb)	402 kg (886 lb)	527 kg (1162 lb)	727 kg (1603 lb)	825 kg (1819 lb)
A BASE PLATE LENGTH	450 mm (17.7 in)	470 mm (18.5 in)	450 mm (17.7 in)	470 mm (18.5 in)	520 mm (20.5 in)	520 mm (20.5 in)
B MACHINE LENGTH	900 mm (35.4 in)	930 mm (36.6 in)	900 mm (35.4 in)	930 mm (36.6 in)	1070 mm (42.1 in)	1070 mm (42.1 in)
C WITH HANDLE	1600 mm (63.0 in)	1840 mm (72.4 in)	1600 mm (63.0 in)	1840 mm (72.4 in)	1965 mm (77.4 in)	1995 mm (78.5 in)
D MACHINE HEIGHT	775 mm (30.5 in)	870 mm (34.3 in)	775 mm (30.5 in)	870 mm (34.3 in)	900 mm (35.4 in)	1000 mm (39.4 in)
E HANDLE HEIGHT (WORK)	1000 mm (42 in)	1000 mm (42 in)	1000 mm (42 in)	1000 mm (39.4 in)	1000 mm (39.4 in)	1200 mm (46 in)
F HANDLE HEIGHT (TRANSPORT)	1500 mm (59.1 in)	1500 mm (59.1 in)	1500 mm (59.1 in)	1500 mm (59.1 in)	1500 mm (60.8 in)	1600 mm (63 in)
G MACHINE WIDTH	450 / 600* / 750 mm (17.7 / 23.6* / 29.5 in)	550 / 700* / 850 mm (21.7 / 27.6* / 33.5 in)	450 / 600* / 750 mm (17.7 / 23.6* / 29.5 in)	550 / 700* / 850 mm (21.7 / 27.6* / 33.5 in)	650 / 800* / 950 mm (26 / 31* / 37 in)	650 / 800 / 950* mm (26 / 31 / 37* in)

ENGINE

ENGINE	Hatz Supra 1D50S	Hatz Supra 1D81S	Hatz Supra 1D50S	Hatz 1D81S	Hatz 1D90S	Kubota D1105
FUEL	Diesel	Diesel	Diesel	Diesel	Diesel	Diesel
ENGINE OUTPUT	9.5 HP / 7 kW	13.7 HP / 10 kW	9.5 HP / 7 kW	13.7 HP / 10.1 kW	14.8 HP / 10.9 kW	23.8 HP / 17.5 kW
AT RPM	3100 rpm	3000 rpm	3100 rpm	3000 rpm	3000 rpm	3000 rpm
FUEL CONSUMPTION	1.7 l/h (0.4 gal/h)	2.5 l/h (0.6 gal/h)	1.7 l/h (0.4 gal/h)	2.5 l/h (0.6 gal/h)	2.5 l/h (0.6 gal/h)	4 l/h (1.1 gal/h)

COMPACTION FORCES

MAX. VIBRATION FREQUENCY	65 Hz (3900 vpm)	69 Hz (4140 vpm)	65 Hz (3900 vpm)	55 Hz (3300 vpm)	40 Hz (2400 vpm)	48 Hz (2900 vpm)
MAX. CENTRIFUGAL FORCE	50 kN (11.2 lbf)	60 kN (13.5 lbf)	50 kN (11.2 lbf)	65 kN (14.6 lbf)	100 kN (22.5 lbf)	110 kN (24.7 lbf)
WORKING SURFACE BASIC UNIT	594 m ² /h (6393 ft ² /h)	924 m ² /h (9946 ft ² /h)	594 m ² /h (6394 ft ² /h)	1056 m ² /h (11367 ft ² /h)	1090 m ² /h (11733 ft ² /h)	1404 m ² /h (15112 ft ² /h)
WITH EXTENSIONS	792 / 990 m ² /h (8525 / 10656 ft ² /h)	1176 / 1428 m ² /h (12658 / 15371 ft ² /h)	792 / 990 m ² /h (8525 / 9687 ft ² /h)	1344 / 1632 m ² /h (14467 / 17567 ft ² /h)	1350 / 1600 m ² /h (14531 / 17222 ft ² /h)	1728 / 2052 m ² /h (18600 / 22088 ft ² /h)
MAX. COMPACTION DEPTH**	70 cm (28 in)	80 cm (31 in)	70 cm (28 in)	90 cm (35 in)	100 cm (22 in)	110 cm (24 in)

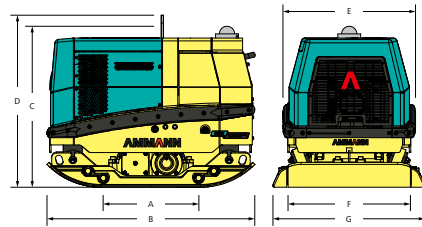
MISCELLANEOUS

OPERATING SPEED	22 m/min (1 mph)	28 m/min (1 mph)	22 m/min (1 mph)	32 m/min (1 mph)	28 m/min (1 mph)	36 m/min (1 mph)
TANK CAPACITY	5 l (1.1 gal)	7 l (1.5 gal)	5 l (1.1 gal)	7 l (1.5 gal)	10 l (2.2 gal)	16.5 l (4.4 gal)
GRADEABILITY	36%	36%	36%	36%	36%	35%
MAX. INCLINE TO ALL SIDES	30°	30°	30°	30°	30°	30°

OPTIONS

EXTENSION PLATES	75 mm / 150 mm (2.9 in / 5.9 in)	75 mm / 150 mm (2.9 in / 5.9 in)	75 mm / 150 mm (2.9 in / 5.9 in)	75 mm / 150 mm (2.9 in / 5.9 in)	75 mm / 150 mm (2.9 in / 5.9 in)	75 mm / 150 mm (2.9 in / 5.9 in)
OPERATION HOUR METER	x	x	x	x	x	Standard
ELECTRIC STARTER	x	x	x	x	x	x
EMERGENCY STOP	x	x	x	Standard	Standard	Standard
ACE ^{econ}	x	x	x	Standard	Standard	Standard
ACE ^{force}	-	-	-	-	-	-
WORKING LIGHTS	-	-	-	-	-	Standard

* Standard working width ** Depending on ground conditions



WEIGHT & DIMENSIONS

	APH 1000 TC
MACHINE WEIGHT BASIC UNIT	715 Kg (1576 lb)
WITH EXTENSION PLATES 75 mm	747 Kg (1643 lb)
A BASE PLATE LENGTH	520 mm (20.5 in)
B MACHINE LENGTH	1090 mm (42.9 in)
C MACHINE HEIGHT	845 mm (33.3 in)
D MACHINE HEIGHT (W, TRANSPORT HOOK)	910 mm (35.8 in)
E MACHINE WIDTH	696 mm (27.4 in)
F BASE PLATE WIDTH	650 mm (25.6 in)
G WITH EXTENSIONS	650 / 800* mm (26.6 / 31.5 in)

ENGINE

ENGINE	Hatz 1D90V
FUEL	Diesel
ENGINE OUTPUT	14.8 HP / 10.9 kW
AT RPM	3000
FUEL CONSUMPTION	2.5 l/h (0.6 gal/h)

COMPACTION FORCES

MAX. VIBRATION FREQUENCY	46 Hz (2760 vpm)
MAX. CENTRIFUGAL FORCE	63 kN (15.7 lbf)
WORKING SURFACE BASIC UNIT	1090 m ² /h (11733 ft ² /h)
WITH EXTENSIONS	1350 m ² /h (14531 ft ² /h)
MAX. COMPACTION DEPTH**	90 cm (35 in)

MISCELLANEOUS

OPERATING SPEED	28 m/min (1 mph)
TANK CAPACITY	10 l (2.2 gal)
GRADEABILITY	35 %
MAX. INCLINE TO ALL SIDES	25°

OPTIONS

EXTENSION PLATES	75 mm (2.9 in)
OPERATION HOUR METER	x
ELECTRIC STARTER	Standard
EMERGENCY STOP	-
ACE ^{econ}	-
ACE ^{force}	-
WORKING LIGHTS	-

* Standard working width ** Depending on ground conditions

SERVICE

A NETWORK TO SUPPORT YOU

No matter where you are, Ammann-trained technicians and parts are nearby. Ammann dealers provide well-trained service technicians who can help you, whether it's an emergency or time for preventive maintenance. The vast Ammann network ensures there is a nearby technician who understands your language and your technical needs. Parts availability and ease of ordering are always Ammann priorities.

SERVICE APP

The service app for Ammann machines impresses machine operators who are already benefiting from the advantages of the free application. The easy-to-use app provides machine operators working on site quick and uncomplicated access to machine documentation.

SERVICE VIDEOS

Sometimes a video tells the story best. That's why you'll find a variety of service videos that walk you through service and maintenance processes.

QR CODE

Many maintenance kits feature QR codes that link to videos with helpful demonstrations that walk you or your technician through the process. The videos tell the story without dialogue so customers anywhere in the world can understand.





SERVICELINK THE SIMPLE AND EFFICIENT WAY TO CONNECT TO YOUR MACHINES

Fleet management made easy

ServiceLink enables you to keep an eye on all of your machines and their status at any time. You can see all the relevant information regarding maintenance, battery status and warranty period with one click. You also can easily manage your machines via an app or online.

MACHINE DATA

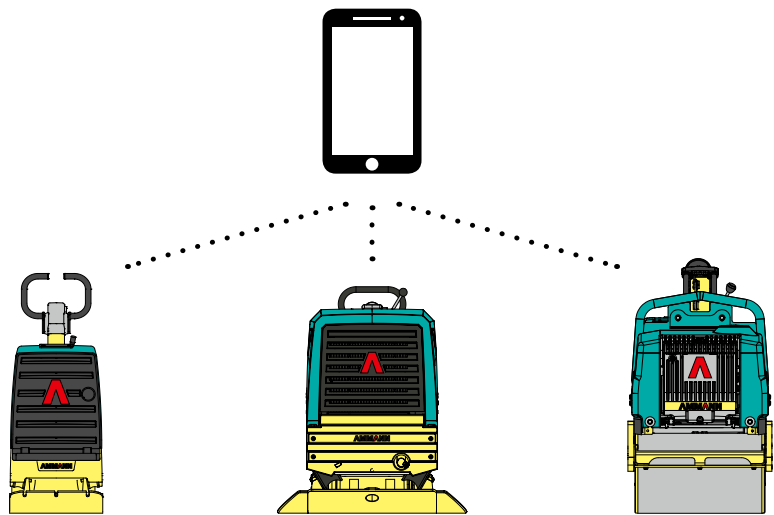
ServiceLink stores and transmits the latest machine data such as battery status, hours run and the number of machine starts.

SERVICE INFORMATION

Additional data can be stored on the ServiceLink relay via the Ammann Service app or online. Save maintenance information and pending repair work directly on the machine – where it is available to your service team at any time.

ONLINE AND MOBILE

Machine data can be accessed and edited at any time either online or through the Ammann Service app.



HIGHLIGHTS

- Access to machine data via the ServiceLink web app
- Easy registration of new machines via the Ammann Service app on your smartphone
- Manage service information and save machine information
- Compatible with all battery-powered machines (including those built by other manufacturers)



TRAINING

ENHANCE YOUR PERFORMANCE

If Ammann machine training was summarised in a single word, it might well be “comprehensive.” The training includes multiple expertise levels and modules to benefit all skill levels.

TRAINING WORLDWIDE

Ammann product and application experts are ready to provide the training you need, no matter where you are. The global nature of Ammann ensures an expert is always near you – ready to offer instruction that ranges from the basics to the specifics relevant to your geographic area. The training can take place at an Ammann facility, your business – or even on a jobsite.

KEY TEACHING THEMES CONNECT ALL EFFORTS, NO MATTER WHERE THEY OCCUR

A good balance. Training often combines a traditional classroom setting with hands-on machine experience. Ammann application experts also can offer instruction on your jobsite.

Training typically includes students from other industry businesses. Participants say conversations with their peers – and learning how they overcome challenges – are other key benefits.

Learn in your language. Lessons are taught in many languages, ensuring your team understands key terms and lessons and makes the most of your training investment.



SPARE PARTS

You can only earn money when your equipment is working. That's why Ammann does everything possible to ensure you have the parts where and when you need them. Those efforts include easy online ordering to avoid confusion and enable tracking, and efficient logistics and availability to help parts reach you quickly.



WEARING KITS

Some machines handle abrasive materials in demanding applications. While wear is inevitable, downtime can be limited. Wearing kits make replacement of these parts efficient and cost-effective. All the necessary parts – big and small – are in a single box to keep you organised and efficient and to ensure the machines are quickly back up and running.

EMERGENCY KITS

Emergency kits prevent little frustrations from becoming bigger issues that can shut down a machine and even a jobsite. These kits include parts such as switches, fuses and valve coils that are simple and fast to change yet still can cause significant problems if not operating properly. The kits easily fit in the trunk or bed of a vehicle so they're on hand when needed. A crew-member with a bit of technical knowledge can handle this work on the jobsite. These repairs take 2 hours or less.

MAINTENANCE KITS

Preventive maintenance is crucial to efficient operation and service life of machines. The easier the maintenance, the more likely it is to be completed. Maintenance kits make the upkeep simple. Parts associated with a particular maintenance process are in a single box with a single part number.

BROCHURE WITH ALL KITS

We have a prospect with all kits, and their part numbers are available for you. Just contact your parts consultant and have a digital or hardcopy sent to you.



For additional product information
and services please visit:
www.ammann.com

